

MODEL : TN-3000-124 OUTPUT:110V/60Hz

**AC OUTPUT FUNCTION TEST**

NO	TEST ITEM	SPECICATION	TEST CONDITION	RESULT	VERDICT
1	RATED POWER (TYP)	3000W	I/P: 24VDC Ta:25°C	<u>3000</u> W	P
2	WAVEFORM	True sine wave (THD<3%)	I/P: 26VDC O/P: FULL LOAD Ta:25°C	FULL LOAD: <u>1.435</u> %	P
3	FREQUENCY	60HZ ± 0.1HZ	I/P: 24VDC O/P: FULL LOAD Ta:25°C	FULL LOAD: <u>60.01</u> HZ	P
4	AC REGULATION (TYP)	±3%	I/P: 24VDC O/P: FULL LOAD/NO LOAD Ta:25°C	0.6%	P
5	MAXIMUM OUTPUT POWER	(1)3450W/180sec. (2)4500w/10sec (3)SURGE POWER 6000W FOR 30CYCLE Vdc ≤ 27V SURGE POWER 6000W FOR 5 CYCLE FOR Vbat>27Vdc	I/P: 24VDC O/P: TESTING LOAD Ta:25°C ※LED DISPLAY	(1) <u>3259W</u> /180 SEC (2) <u>4402W</u> / 10_SEC (3) <u>5871W</u> /36 CYCLE FOR ≤ 29Vdc <u>5613W</u> / 11 CYCLE FOR >27VDC	P
6	SAVING MODE TO NORMAL	Po>7W~15W	I/P: 24VDC O/P:NO LOAD Ta:25°C ※LED DISPLAY	<u>10</u> W	P
7	NORMAL TO SAVING MODE(TYP)	Po ≤ 5W	I/P: 24VDC O/P:NO LOAD Ta:25°C ※LED DISPLAY	<u>5</u> W	P
8	TRANSFER TIME(TYP)	t <10 mS inverter↔by pass	I/P: 24VDC O/P:FULL LOAD Ta:25°C	INVERTER→BY PASS <u>8.8</u> ms BY PASS→INVERTER <u>10</u> ms	P

**DC INPUT FUNCTION TEST**

NO	TEST ITEM	SPECICATION	TEST CONDITION	RESULT	VERDICT
1	DC CURRENT (TYP)	150A	I/P: 24VDC O/P:FULL LOAD Ta:25°C	<u>142</u> A	P
2	NO LOAD DISSIPATION (TYP)	≤ 10W @standby saving mode	I/P: 24VDC O/P:NO LOAD Ta:25°C	<u>9.68</u> W/24VDC	P
3	OFF MODE DRAW CURRENT	≤ 1mA	I/P: 24VDC SW OFF O/P:NO LOAD Ta:25°C	<u>0.91</u> /24VDC	P

4	VOLTAGE RANGE (TYP)	21±1VDC~30±1VDC	I/P: TESTING O/P:NO LOAD/FULL LOAD Ta:25°C	<u>20.9</u> VDC~ <u>29.4</u> VDC/NO LOAD <u>21.3</u> VDC~ <u>29.6</u> VDC/FULL LOAD	P
5	EFFICIENCY(TYP)	90%	I/P: 26VDC O/P: P <sub>o</sub> =2100W Ta:25°C	90.84%	P

**BATTERY INPUT PROTECTION FUNCTION TEST**

NO	TEST ITEM	SPECICATION	TEST CONDITION	RESULT	VERDICT
1	BAT LOW ALARM (INVERTER MODE)	21.5V ~ 23.5VDC	I/P: TESTING O/P:FULL LOAD Ta:25°C ※LED DISPLAY	<u>22.6</u> V	P
2	BAT LOW SHUT DOWN	20V ~ 22VDC	I/P: TESTING O/P: FULL LOAD Ta:25°C ※LED DISPLAY	<u>21.3</u> V Shut down Recovery	P
3	BAT. RECOVERY VOLTAGE	27.4DC~29.4VDC	I/P: TESTING O/P:FULL LOAD Ta:25°C	28.6V	P
4	TRANSFER TO AC BY PASS	21VDC ~23VDC	I/P: TESTING O/P: FULL LOAD Ta:25°C	22.2V	P
5	BY PASS TRANSFER TO INVERTER	27.5VDC~29.5VDC	I/P: TESTING O/P: FULL LOAD Ta:25°C	28.18V	P
6	OVER VOLTAGE	29VDC~31VDC	I/P: TESTING O/P:FULL LOAD Ta:25°C	29.6V	P

**AC OUTPUT PROTECTION FUNCTION TEST**

NO	TEST ITEM	SPECICATION	TEST CONDITION	RESULT	VERDICT
1	OVER TEMPERATURE	SPEC : TSW1 : 95 ± 5°C O.T.P. NO DAMAGE	I/P: 24VDC O/P: FULL LOAD SET:SAVING MODE Ta:25°C ※LED DISPLAY	O.T.P. Active Shut down o/p voltage Re-power on to recover	P
2	SHORT PROTECTION	SHORT EVERY OUTPUT NO DAMAGE	I/P:29VDC O/P: FULL LOAD TEST: 3 TIMES Ta:25°C ※LED DISPLAY	NO DAMAGE Shut down o/p voltage Re-power on to recover	P

3	OVER LOAD (INVERTER)	105%~115%LOAD 180sec 115%~150%LOAD10 Sec Shutdown Re-power ON	I/P: 24VDC O/P: TESTING Ta:25°C ※LED DISPLAY	24VDC: <u>110</u> % <u>180</u> sec <u>140</u> % <u>10</u> sec Shut down Re-power ON	P
---	----------------------	---	---	---	---

**FAN CONTROL FUNCTION TEST**

NO	TEST ITEM	SPECICATION	TEST CONDITION	RESULT	VERDICT
1	FAN SPEED CONTROL	-----	I/P: 24VDC O/P: FULL LOAD Ta:25°C	Fan Voltage= 12.64 V	P
2	FAN LOCK	Shut down Re-power ON	I/P: 24VDC O/P: FULL LOAD Ta:25°C ※LED DISPLAY	Shut down Re-power ON	P

**AC CHARGER**

NO	TEST ITEM	SPECICATION	TEST CONDITION	RESULT	VERDICT
1	CHARGE CURRENT	12A±1.5A	I/P: 230VAC O/P:CV MODE=24V ACLOAD:FULL LOAD Ta:25°C	12.86A	P
2	CHARGE VOLTAGE	27.5VDC~29.5 VDC	I/P: 230VAC O/P:NO LOAD ACLOAD:NO LOAD Ta:25°C	28.18V	P

**SOLAR CHARGER**

NO	TEST ITEM	SPECICATION	TEST CONDITION	RESULT	VERDICT
1	MAX O/PEN CIRCUIT VOLTAGE	45V /30A	I/P: DC SOURCE O/P:BATTERY Ta:25°C	45.V 30 A	P
2	CHARGE VOLTAGE	27.5VDC~29.5VDC	I/P: DC SOURCE O/P:BATTERY Ta:25°C	28.4V	P

**APPLICATION TEST**

NO	TEST ITEM	SPECICATION	TEST CONDITION	RESULT	VERDICT
1	INDUCTION MOTOR	1HP	I/P: BATTERYVOLTAGE O/P:1HP Ta:25°C	INVERTER TURN ON/OFF :OK INDUCTION MOTOR ON/OFF:OK	P
2	SWITCHING POWER SUPPLY	RSP-1500-48*2PIC(Pin=3000W)	I/P:BATTERYVOLTAGE(190H52) O/P: RSP-1500-48*2PIC (Pin=3000W) Ta:25°C	INVERTER TURN ON/OFF :OK INDUCTION MOTOR ON/OFF:OK	P

**Load indicator test**

Load indicator test							
LED INDICATOR	LOAD RANGE	RESULT	VERDICT	LED INDICATOR	LOAD RANGE	RESULT	VERDICT
	0W ~ 750W±150W	<752W	P		1500W±150W ~ 2250W±150W	1490W~ 2200W	P
	750W±150W ~ 1500W±150W	752W~ 1490W	P		2250W±150W ~ 3000W	2200W~ 3000W	P

**Battery capacity indicator test**

Battery capacity indicator test							
Inverter mode				By-pass mode			
LED INDICATOR	VOLTAGE RANGE	RESULT	VERDICT	LED INDICATOR	VOLTAGE RANGE	RESULT	VERDICT
	21.4V ~ 23.4V 2 LEDs → 1 LED (22.4V)	22.7V	P		<24V (25V)	25.2V	P
	22.6V ~ 24.6V 3 LEDs → 2 LEDs (23.6V)	23.7V	P		24.2V ~ 26.2V 1 LED → 2 LEDs (25.2V)	25.8V	P
	22.8V ~ 24.8V 4 LEDs → 3 LEDs (23.8V)	23.83V	P		25.4V ~ 27.4V 2 LEDs → 3 LED (26.4V)	26.9V	P
	> 25.4V (24.4V)	24.38V	P		26.8V ~ 29.8V 3 LEDs → 4 LEDs (27.8V)	28.4V	P

**Battery low alarm test**

Battery low alarm test					
O/PERATING MODE	VOLTAGE RANGE	LED INDICATOR	VOLTAGE RANGE	LED	VERDICT
Inverter mode	21.5V ~ 23.5V	Bat Low Buzzer sounds	22.1V	OK	P
By-pass mode & Saving mode	24.2V ~ 26.2V	Bat Low	25.17V	OK	P

**Solar charger test**

Solar charger test					
STATUS	VOLTAGE RANGE	LED INDICATOR	NOTE	VOLTAGE RANGE	VERDICT
ON	25.4V ~ 27.4V	<b>SOLAR</b> 	Solar charging current > 3.5A ; LED ON Solar charging current < 1A ; LED OFF	26.3V	P
OFF	27.5V ~29.5V	<b>SOLAR</b> 	LED OFF	28.4V	P

**Saving mode test**

NOTE : Both of load & battery indictors should be off under saving mode

Saving mode test				
O/PERATING MODE	POWER LEVEL FOR TRANSITION	LED INDICATOR	P <sub>o</sub>	VERDICT
Saving mode → Normal mode	7W<P <sub>o</sub> <15W	Saving	10W	P
Normal mode → Saving mode	P <sub>o</sub> < 10W	Saving	5W	P

**POWER ON AND MODE SETTING CODES:**

1.O/Peration Mode Selection

O/PERATION MODE	LED INDICATORS	VERDICT
Energy Saving mode	RED ● YELLOW ★ GREEN ★	P
UPS mode	RED ○ YELLOW ★ GREEN ★	P

↓After pushing button 3 seconds and beeping

2.Voltage And Frequency Mode Selection

	100V (200V)	110V (220V)	115V (230V)	240V (240V)
50Hz	RED ● YELLOW ○ GREEN ○	RED ● YELLOW ○ GREEN ●	RED ● YELLOW ● GREEN ○	RED ● YELLOW ● GREEN ●
VERDICT	P	P	P	P

60Hz	RED ★ YELLOW ○ GREEN ○	RED ★ YELLOW ○ GREEN ●	RED ★ YELLOW ● GREEN ○	RED ★ YELLOW ● GREEN ●
VERDICT	P	P	P	P

↓After pushing button 3 seconds and beeping

3.Saving Mode Selection

Saving mode	LED INDICATOR	VERDICT
ENABLED	RED ★ YELLOW ★ GREEN ●	P
DISABLED	RED ★ YELLOW ★ GREEN ○	P

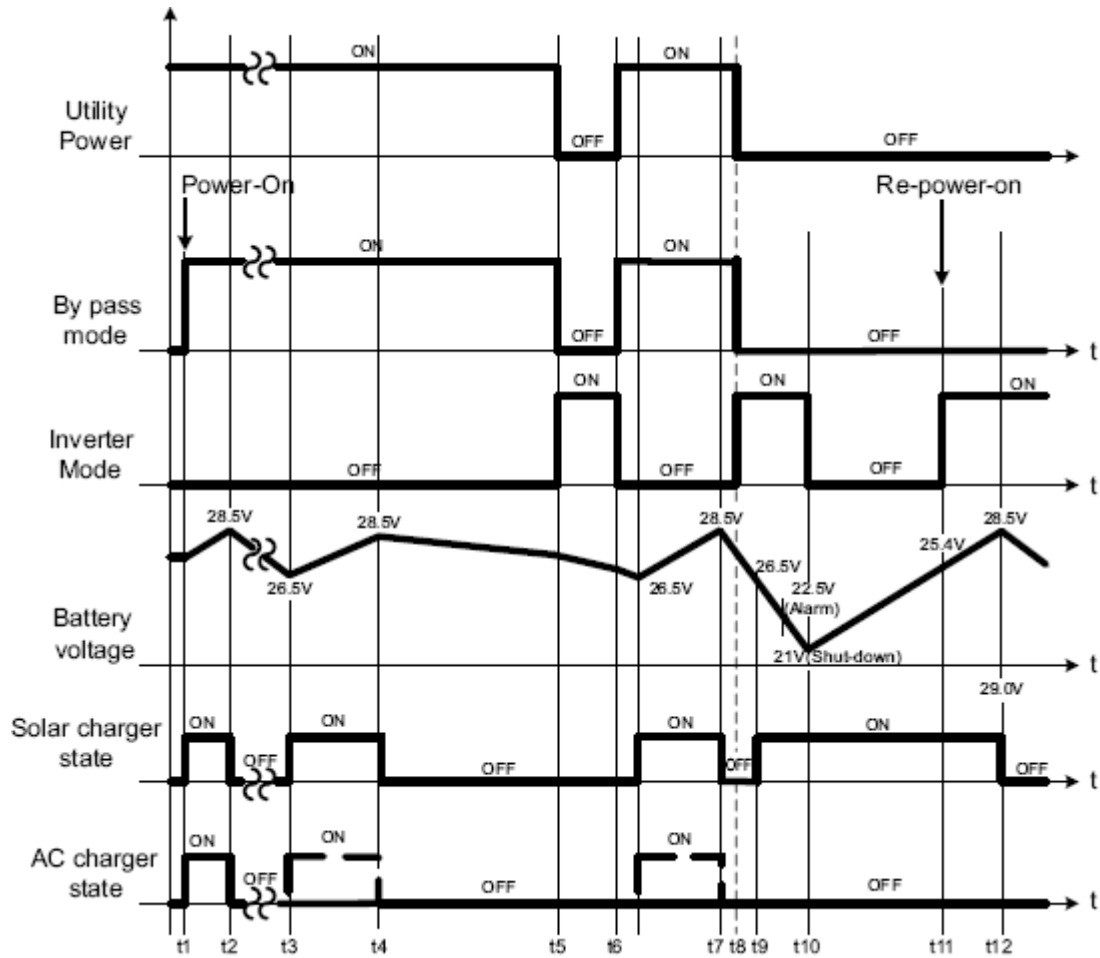
ERROR CODE LED INDICATOR

Error code								
LED INDICATOR	FAILURE MESSAGE	VERDICT	LED INDICATOR	FAILURE MESSAGE	VERDICT	LED INDICATOR	FAILURE MESSAGE	VERDICT
	105% OLP	P		115% OLP	P		150% OLP	P
	OTP	P		Inverter OVP Or Inverter UVP	P		AC output fail (O/P short)	P
	Battery low shutdown	P		Battery bad or Battery notch	P		FAN -LOCK	P
	Remote-off	P						

VOLTAGE RANGE OF AC UTILITY FOR O/PERATION MODE TRANSITION :

AC input high / low line limit				
AC MAINS	VOLTAGE LIMIT	VOLTAGE RANGE	RESULT	VERDICT
110V	High limit (To INV mode)	Vac > 127±4V	129V	P
	Recovery to high (To AC mode)	Vac < 124±4V	122V	P
	Low limit (To INV mode)	Vac < 90±4V	90V	P
	Recovery to low (To AC mode)	Vac > 94±4V	94V	P

UPS MODE VERIFICATION

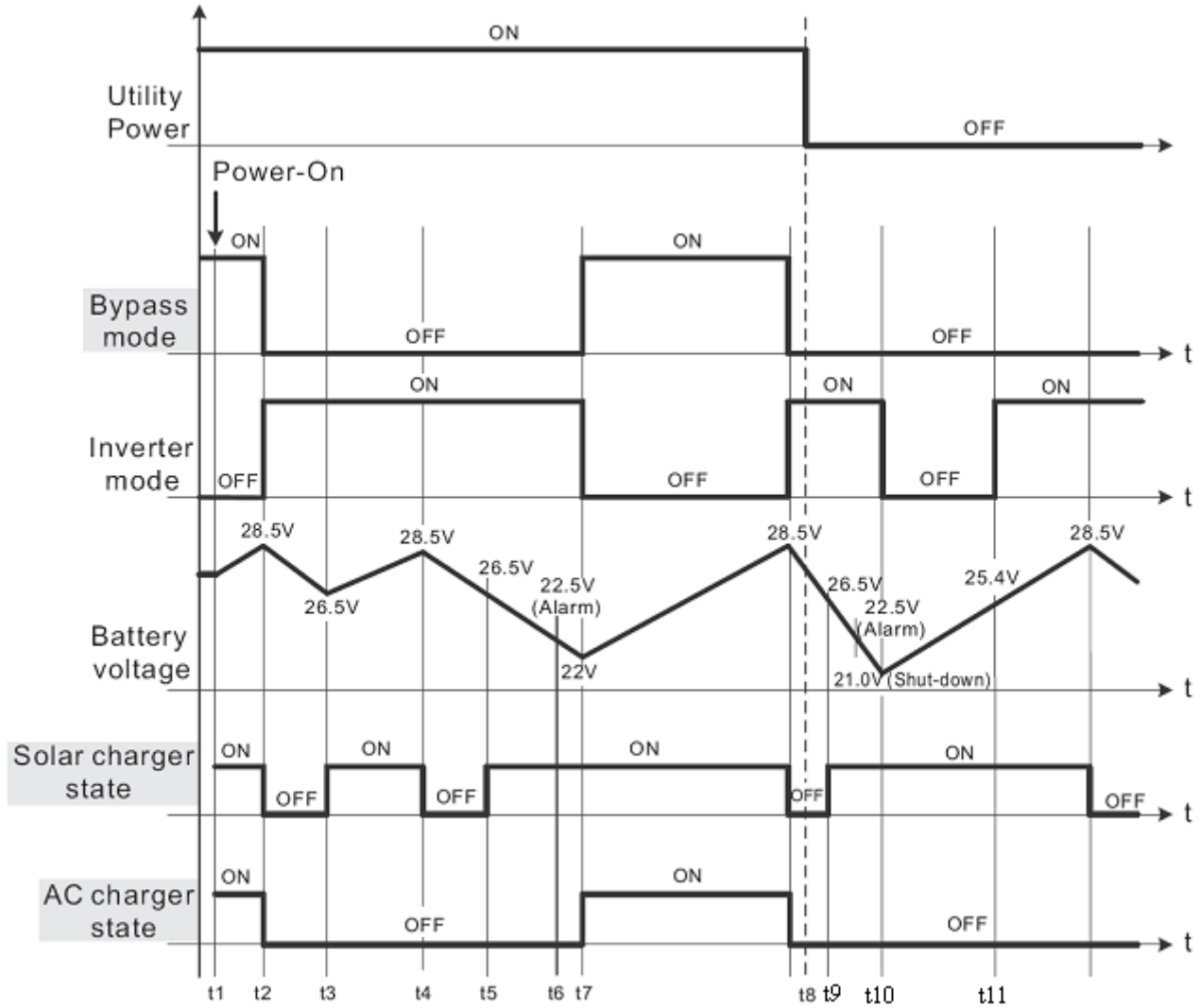


TIME SEQUENCE	TEST CONDITIONS	LED INDICATOR STATUS	VERDICT
t1	1、AC utility in → 110V/220V 2、Battery voltage → 12V/24V/48V 3、Solar charging current → 3.5A	1、AC IN 2、AC CHARGER 3、SOLAR CHARGER 4、INVERTER 5、BY PASS	1、 <input checked="" type="checkbox"/> 2、 <input checked="" type="checkbox"/> 3、 <input checked="" type="checkbox"/> 4、 <input type="checkbox"/> 5、 <input checked="" type="checkbox"/> P
t2	1、AC utility in → 110V/220V 2、Battery voltage → 14.5V/29V/58V 3、Solar charging current → 3.5A	1、AC IN 2、AC CHARGER 3、SOLAR CHARGER 4、INVERTER 5、BY PASS	1、 <input checked="" type="checkbox"/> 2、 <input type="checkbox"/> 3、 <input type="checkbox"/> 4、 <input type="checkbox"/> 5、 <input checked="" type="checkbox"/> P
t3	1、AC utility in → 110V/220V 2、Battery voltage →	1、AC IN 2、AC CHARGER	1、 <input checked="" type="checkbox"/> 2、 <input type="checkbox"/> P

	13V/26V/52V 3、Solar charging current → 3.5A	3、SOLAR CHARGER 4、INVERTER 5、BY PASS	3、 <input checked="" type="checkbox"/> 4、 <input type="checkbox"/> 5、 <input checked="" type="checkbox"/>	
t3'	1、AC utility in → 110V/220V 2、Battery voltage → 13V/26V/52V 3、Solar charging current → 0A	1、AC IN 2、AC CHARGER 3、SOLAR CHARGER 4、INVERTER 5、BY PASS	1、 <input checked="" type="checkbox"/> 2、 <input checked="" type="checkbox"/> 3、 <input type="checkbox"/> 4、 <input type="checkbox"/> 5、 <input checked="" type="checkbox"/>	P
t5	1、AC utility disconnected 2、Battery voltage → 14.5V/29V/58V 3、Solar charging current → 3.5A	1、AC IN 2、AC CHARGER 3、SOLAR CHARGER 4、INVERTER 5、BY PASS	1、 <input type="checkbox"/> 2、 <input type="checkbox"/> 3、 <input type="checkbox"/> 4、 <input checked="" type="checkbox"/> 5、 <input type="checkbox"/>	P
t6	1、AC utility in → 110V/220V 2、Battery voltage → 14.5V/29V/58V 3、Solar charging current → 3.5A	1、AC IN 2、AC CHARGER 3、SOLAR CHARGER 4、INVERTER 5、BY PASS	1、 <input checked="" type="checkbox"/> 2、 <input type="checkbox"/> 3、 <input type="checkbox"/> 4、 <input type="checkbox"/> 5、 <input checked="" type="checkbox"/>	P
t9	1、AC utility disconnected 2、Battery voltage → 13V/26V/52V 3、Solar charging current → 3.5A	1、AC IN 2、AC CHARGER 3、SOLAR CHARGER 4、INVERTER 5、BY PASS	1、 <input type="checkbox"/> 2、 <input type="checkbox"/> 3、 <input checked="" type="checkbox"/> 4、 <input checked="" type="checkbox"/> 5、 <input type="checkbox"/>	P
t10	1、AC utility disconnected 2、Battery voltage → 10.5V/21V/42V 3、Solar charging current → 3.5A	1、AC IN 2、AC CHARGER 3、SOLAR CHARGER 4、INVERTER 5、BY PASS ⊙Inverter shuts down	1、 <input type="checkbox"/> 2、 <input type="checkbox"/> 3、 <input checked="" type="checkbox"/> 4、 <input type="checkbox"/> 5、 <input type="checkbox"/> error0111	P
t11	1、AC utility disconnected 2、Battery voltage → 13V/26V/52V 3、Solar charging current → 3.5A	1、AC IN 2、AC CHARGER 3、SOLAR CHARGER 4、INVERTER 5、BY PASS ⊙Inverter resumes normal O/Peration	1、 <input type="checkbox"/> 2、 <input type="checkbox"/> 3、 <input checked="" type="checkbox"/> 4、 <input checked="" type="checkbox"/> 5、 <input type="checkbox"/>	P



ESM MODE VERIFICATION



TIME SEQUENCE	TEST CONDITIONS	LED INDICATOR STATUS		VERDICT
t1	1、AC utility in → 110V/220V 2、Battery voltage → 12V/24V/48V 3、Solar charging current → 3.5A	1、AC IN 2、AC CHARGER 3、SOLAR CHARGER 4、INVERTER 5、BY PASS	1、 <input checked="" type="checkbox"/> 2、 <input checked="" type="checkbox"/> 3、 <input checked="" type="checkbox"/> 4、 <input type="checkbox"/> 5、 <input checked="" type="checkbox"/>	P
t2	1、AC utility in → 110V/220V 2、Battery voltage → 14.5V/29V/58V 3、Solar charging current →	1、AC IN 2、AC CHARGER 3、SOLAR CHARGER 4、INVERTER	1、 <input checked="" type="checkbox"/> 2、 <input type="checkbox"/> 3、 <input type="checkbox"/> 4、 <input checked="" type="checkbox"/>	P

	3.5A	5、BY PASS	5、 <input type="checkbox"/>	
t3	1、AC utility in → 110V/220V 2、Battery voltage → 13V/26V/52V 3、Solar charging current → 3.5A	1、AC IN 2、AC CHARGER 3、SOLAR CHARGER 4、INVERTER 5、BY PASS	1、 <input checked="" type="checkbox"/> 2、 <input type="checkbox"/> 3、 <input checked="" type="checkbox"/> 4、 <input checked="" type="checkbox"/> 5、 <input type="checkbox"/>	P
t4	1、AC utility in → 110V/220V 2、Battery voltage → 14.5V/29V/58V 3、Solar charging current → 0A	1、AC IN 2、AC CHARGER 3、SOLAR CHARGER 4、INVERTER 5、BY PASS	1、 <input checked="" type="checkbox"/> 2、 <input type="checkbox"/> 3、 <input type="checkbox"/> 4、 <input checked="" type="checkbox"/> 5、 <input type="checkbox"/>	P
t7	1、AC utility in → 110V/220V 2、Battery voltage → 11V/22V/44V 3、Solar charging current → 3.5A	1、AC IN 2、AC CHARGER 3、SOLAR CHARGER 4、INVERTER 5、BY PASS	1、 <input checked="" type="checkbox"/> 2、 <input type="checkbox"/> 3、 <input checked="" type="checkbox"/> 4、 <input type="checkbox"/> 5、 <input checked="" type="checkbox"/>	P
t8	1、AC utility disconnected 2、Battery voltage → 14.5V/27V/54V 3、Solar charging current → 3.5A	1、AC IN 2、AC CHARGER 3、SOLAR CHARGER 4、INVERTER 5、BY PASS	1、 <input type="checkbox"/> 2、 <input type="checkbox"/> 3、 <input type="checkbox"/> 4、 <input checked="" type="checkbox"/> 5、 <input type="checkbox"/>	P
t9	1、AC utility disconnected 2、Battery voltage → 12V/24V/48V 3、Solar charging current → 3.5A	1、AC IN 2、AC CHARGER 3、SOLAR CHARGER 4、INVERTER 5、BY PASS	1、 <input type="checkbox"/> 2、 <input type="checkbox"/> 3、 <input checked="" type="checkbox"/> 4、 <input checked="" type="checkbox"/> 5、 <input type="checkbox"/>	P
t10	1、AC utility disconnected 2、Battery voltage → 10.5V/21V/42V 3、Solar charging current → 3.5A	1、AC IN 2、AC CHARGER 3、SOLAR CHARGER 4、INVERTER 5、BY PASS ⊙Inverter shuts down.	1、 <input type="checkbox"/> 2、 <input type="checkbox"/> 3、 <input checked="" type="checkbox"/> 4、 <input type="checkbox"/> 5、 <input type="checkbox"/> error0111	P
t11	1、AC utility disconnected 2、Battery voltage → 13V/26V/52V 3、Solar charging current → 3.5A	1、AC IN 2、AC CHARGER 3、SOLAR CHARGER 4、INVERTER 5、BY PASS ⊙Inverter re-powers on to recover	1、 <input type="checkbox"/> 2、 <input type="checkbox"/> 3、 <input checked="" type="checkbox"/> 4、 <input checked="" type="checkbox"/> 5、 <input type="checkbox"/>	P

COMPONENT STRESS TEST

NO	TEST ITEM	SPECICATION	TEST CONDITION	RESULT	VERDICT
1	DC TO DC Power Transistor ( D to S) or (C to E) <b>Peak Voltage</b>	Q 310 Rated IRFB4321PbF 83A/150V	I/P:29VDC O/P: (1)Full Load Turn On (2) Output Short (3)Full load continue Ta:25°C	(1) 92 V (2) 85 V (3) 72 V	P
2	DC TO DC Diode Peak <b>Voltage</b>	D 400 Rated SF20LC30 20A/300V	I/P:29VDC O/P: (1)Full Load Turn On (2) Output Short (3)Full load continue Ta:25°C	(1) 254 V (2) 248 V (3) 250 V	P
3	<b>DC BUS Capacitor Voltage</b>	C403 Rated 680u/250V 105°C 25*40 MXG	I/P:29VDC O/P: (1)Full Load Turn SW On /Off (2) Min load Turn SW On /Off (3)Full Load /Min load Change Ta:25°C	(1) 248 V (2) 248 V (3) 248 V	P
4	DC TO AC Power Transistor ( D to S) or (C to E) <b>Peak Voltage</b>	Q 51 Rated IRGP50B60PD1pbF 50A/600V	I/P:29VDC O/P: (1)Full Load Turn On (2) Output Short (3)Full load continue Ta:25°C	(1) 396 V (2) 440 V (3) 318 V	P
5	DC TO FAN Power Transistor ( D to S) or (C to E) <b>Peak Voltage</b>	Q 100 Rated IRFB52N15DPbF 51A/150V	I/P:29VDC O/P: (1)Full Load Turn On (2) Output Short (3)Full load continue Ta:25°C	(1) 139 V (2) 139 V (3) 89 V	P
6	DCTO FAN Diode Peak <b>Voltage</b>	D 200 Rated MBR20H100CT 20A/100V	I/P:29VDC O/P: (1)Full Load Turn On (2) Output Short (3)Full load continue Ta:25°C	(1) 74 V (2) 86 V (3) 68 V	P
7	FAN TO CPU Power Transistor ( D to S) or (C to E) <b>Peak Voltage</b>	Q601 Rated STP75NF75 80A/75V	I/P:29VDC O/P: (1)Full Load Turn On (2) Output Short (3)Full load continue Ta:25°C	(1) 43 V (2) 49 V (3) 33 V	P
8	FAN TO CPU Diode Peak <b>Voltage</b>	D 630 Rated 21DQ10 2A/100V	I/P:29VDC O/P: (1)Full Load Turn On (2) Output Short (3)Full load continue Ta:25°C	(1) 60 V (2) 68 V (3) 52 V	P
9	<b>AC CHARGE</b> Power Transistor ( D to S) or (C to E) <b>Peak Voltage</b>	Q701 2SK3878:900V9A	I/P:110 VAC O/P: (1)Full Load Turn On (2)Full load continue Ta:25°C	(1) 796 V (2) 796 V	P
10	<b>AC CHARGE</b> OUPUTDIODE Peak Voltage	D800 SF20LC30 20A/300V	I/P:110 VAC O/P: (1)Full Load Turn On (2)Full load continue Ta:25°C	(1) 127 V (2) 126 V	P
11	<b>SOLAR CHARGE</b> Power Transistor ( D to S) or (C to E) <b>Peak Voltage</b>	Q850 STP75NF75:75V/80A	I/P:45 VDC O/P: (1)Full Load Turn On (2)Full load continue Ta:25°C	(1) 45.4 V (2) 45 V	P

Reliability Test report

NO	TEST ITEM	SPECIFICATION	TEST CONDITION	RESULT	VERDICT
1.	THERMO TRACER TEST (ROOM AMBIENT)	MODEL:TN-3000-112 TEST CONDITION:12VDC FULL LOAD TA=23.8℃			P
2	TEMPERATURE RISE TEST	MODEL : TN-3000-112 1. ROOM AMBIENT BURN-IN : 1 HRS I/P : 12VDC O/P : FULL LOAD Ta= 28.8 ℃ 2. HIGH AMBIENT BURN-IN : 2 HRS I/P : 12VDC O/P : FULL LOAD Ta= 41.4 ℃			P

		NO	Position	P/N	ROOM AMBIENT		HIGH AMBIENT		
					Ta=	28.8 °C	Ta=	41.4 °C	
		1	C333	2200u/16V L10Kh 12.5*25 YXG	44.5°C		54.5°C		
		2	L330	TF1966	61.4°C		72.0°C		
		3	C337	C/MPP 755/250V 5% P=32.5 MPE	46.5°C		56.3°C		
		4	T330 COIL	TF-2001	61.0°C		71.6°C		
		5	T330 CORE	TF-2001	67.8°C		78.0°C		
		6	Q337	FET IXTP160N075T 160A/75V TO220	68.0°C		80.1°C		
		7	Q350	FET IXT160N075T 160A/75V TO220	61.9°C		72.7°C		
		8	D330	HER305 3A/400V	61.8°C		72.9°C		
		9	D350	HER305 3A/400V	67.7°C		78.6°C		
		10	D409	SF20LC30 20A/300V	71.6°C		82.3°C		
		11	C403	680u/250V 105°C 25*50 MXR	64.9°C		75.8°C		
		12	L13	TR906	81.6°C		92.6°C		
		13	L1	TR908	84.1°C		96.2°C		
		14	C7	C/MPP 306/250V 5% P=45 BX+CP	62.4°C		73.2°C		
		15	U4	CURRENT ACS756ECA-100-PFF CA	47.9°C		58.5°C		
		16	Q70	IGBT IRGP50B60PD1pbF 50A/600V	81.5°C		93.1°C		
		17	Q71	IGBT IRGP50B60PD1pbF 50A/600V	82.3°C		93.5°C		
		18	RTH2	10KΩ 1% NA1033F12D5	74.3°C		84.8°C		
		19	C320	33u/50V UL10Kh 6.3*11 YXM	51.1°C		63.3°C		
		20	U310	DRIVER IC MCP1403-E/SN(Tap.) 8-SOIC	61.8°C		74.4°C		
		21	T100 COIL	TF1969	56.3°C		68.2°C		
		22	Q200	STD17NF03L-1 17A/30V Ipk	50.4°C		62.3°C		
		23	U100	PWM TL3845P	60.6°C		72.1°C		
		24	Q100	STP75NF75 80A/75V	61.6°C		74.0°C		
		25	D200	MBR20H100CT 20A/100V	52.9°C		64.3°C		
		26	U703	PHOTO KPC6N137	42.1°C		54.6°C		
		27	RG701	LM317T 1.5A	59.0°C		71.1°C		
		28	Q601	STP75NF75 80A/75V	43.2°C		55.9°C		
		29	RG602	RG L7805CV 1.0A/5V TO220	39.3°C		51.6°C		
		30	T601 COIL	TF2167	46.3°C		58.5°C		
		31	BD700	30A/800V US30KB80R	31.2°C		41.3°C		
		32	Q700	2SK4108 20A/500V	33.6°C		43.7°C		
		33	Q701	FET 2SK3878 9A/900V TO3P	34.5°C		45.0°C		
		34	D800	FMEN-230A 30A/100V	33.8°C		43.4°C		
		35	T700	TF883-R5	33.0°C		42.6°C		
		36	Q850	STP75NF75 80A/75V	31.2°C		44.4°C		
3	LOW TEMPERATURE TURN ON TEST	TURN ON AFTER 2 HOUR			I/P : 12VDC O/P : 100 % LOAD Ta= 0 °C	TEST : OK			P

4	HIGH HUMIDITY HIGH TEMPERATURE HIGH VOLTAGE TURN ON TEST	AFTER 12 HOURS IN CHAMBER ON CONTROL 40 °C NO DAMAGE	I/P : 14.5VDC O/P : FULL LOAD Ta= 40 °C HUMIDITY= 95 %R.H	TEST : OK	P
5	STORAGE TEMPERATURE TEST	1. Thermal shock Temperature : -45°C~ +90°C 2. Temperature change rate : 25°C / MIN 3. Dwell time low and high temperature : 30 MIN/EACH 4. Total test cycle : 5 CYCLE 5. Input/Output condition : STATIC		TEST : OK	P
6	THERMAL SHOCK TEST	1. Thermal shock Temperature : -5°C~ +45°C 2. Temperature change rate : 25°C / MIN 3. Dwell time low and high temperature : 30 MIN/EACH 4. Total test cycle : 10 CYCLE 5. Input/Output condition : 12VDC/Full Load		TEST : OK	P
7	VIBRATION TEST	1 Carton & 1 Set (1) Waveform : Sine Wave (2) Frequency : 10~500Hz (3) Sweep Time : 10min/sweep cycle (4) Acceleration : 3G (5) Test Time : 60min in each axis (X.Y.Z) (6) Ta : 25°C		TEST : OK	P
8	CAPACITOR LIFE CYCLE	SUPPOSE C 333 IS THE MOST CRITICAL COMPONENT (1) I/P : 12VDC O/P : FULL LOAD Ta= 25 °C LIFE TIME (2) I/P : 12VDC O/P : FULL LOAD Ta= 40 °C LIFE TIME		(1) 517337.4 HRS (2) 219000 HRS	P

### SAFETY TEST

NO	TEST ITEM	SPECICATION	TEST CONDITION	RESULT	VERDICT
1	WITHSTAND VOLTAGE	BAT I/P-AC I/P: 3 KVAC/min BAT I/P-ACO/P: 3 KVAC/min AC O/P-FG: 1.5 KVAC/min	BAT I/P-AC I/P: 3.6 KVAC/min BAT I/P-ACO/P: 3.6 KVAC/min AC O/P-FG: 1.8 KVAC/min Ta:25°C	BAT I/P-AC I/P: 9.18mA BAT I/P-ACO/P: 9.18mA AC O/P-FG: 5.63mA NO DAMAGE	P
2	ISOLATION RESISTANCE	BAT I/P-AC I/P: 500VDC > 100MΩ BAT I/P-AC O/P: 500VDC > 100MΩ AC O/P-FG: 500VDC > 100MΩ	BAT I/P-AC I/P: 500 VDC BAT I/P-ACO/P: 500 VDC AC O/P-FG: 500 VDC Ta:25°C	BAT I/P-AC I/P: 3.4GΩ BAT I/P-AC O/P: 3.4GΩ AC O/P-FG: 1.5GΩ NO DAMAGE	P
3	GROUNDING CONTINUITY	EN 60950 FG(PE) TO CHASSIS OR TRACE < 100 mΩ	40 A / 2min Ta:25°C	11mΩ	P
4	APPROVAL	TUV : Certificate NO : UL : File NO :			N/A

### E.M.C TEST

NO	TEST ITEM	SPECICATION	TEST CONDITION	RESULT	VERDICT
1	CONDUCTION	FCC CLASS A	I/P: 24 VDC O/P: FULL/50% LOAD Ta:25°C	CRITERIA A	P
2	RADIATION	FCC CLASS A	I/P: 24 VDC O/P: :FULL/50% LOAD Ta:25°C	CRITERIA A	P



DATE	SAMPLE	TEST RESULT	TESTER	APPROVAL
2010/4/2	RD SAMPLE	PASS	SANFORD SU	VINCENT TSENG
2010/8/4	PRODUCT SAMPLE	PASS	SANFORD SU	VINCENT TSENG

2003/24/24 A50-F023